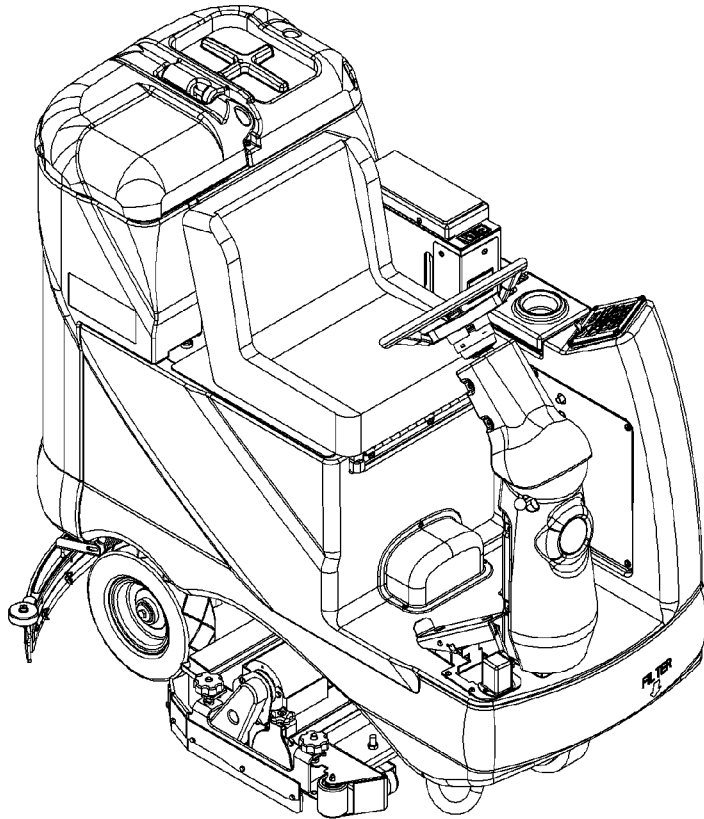


# Adhancer™

## BR 800S TRIO EDS™



### PARTS LIST

Advance Models: 56316025 (R28-C), 56316026 (R32-C)

Nilfisk Models: 56316038 (BR 800S TRIO EDS™)



**Nilfisk  
Advance**

*setting standards*

7/06 revised 3/08 FORM NO. 56042470

Item	Ref. No.	Qty	Description
<b>Common Kits</b>			
**#	56314753	1	Kit, On-Board Charger <b>TSBUS2004-872 / TSBUS2008-984</b>
**#	56316251	1	Kit, OnBoard Charger, AGM <b>TSBUS2008-984</b>
**	56314301	1	Kit, Seat Armrests
**	56314302	1	Kit, Warning Beacon <b>NOTE 1</b>
**	56314308	1	Kit, Scrub-N-Vac Tool W/Pump <b>NOTE 1</b>
**	56314312	1	Kit, Seatbelt <b>NOTE 1</b>
**	56314313	1	Kit, Headlight <b>NOTE 1</b>
<b>Advance Only Kits</b>			
**	56397453	1	Kit, Battery Fill Indicator ( <b>Advance only</b> )
**	56314981	1	Kit, Battery Watering ( <b>Advance only</b> ) <b>NOTE 1</b>
**	56314474	1	Kit, Deck 2400D ( <b>Advance only</b> ) <b>NOTE 1</b>
**	56314475	1	Kit, Deck 2400C ( <b>Advance only</b> ) <b>NOTE 1</b>
**	56314476	1	Kit, Deck 2600D ( <b>Advance only</b> ) <b>NOTE 1</b>
**	56314477	1	Kit, Deck 2600C ( <b>Advance only</b> ) <b>NOTE 1</b>
**	56314478	1	Kit, Deck 2810D ( <b>Advance only</b> ) <b>NOTE 1</b>
**	56314479	1	Kit, Deck 2810C ( <b>Advance only</b> ) <b>NOTE 1</b>
**	56314717	1	Kit, Deck 3210D ( <b>Advance only</b> ) <b>NOTE 1</b>
**	56314481	1	Kit, Deck 3210C ( <b>Advance only</b> ) <b>NOTE 1</b>
**	56314338	1	Kit, Dual Vac Motor ( <b>Advance only</b> ) <b>NOTE 1</b>
**#	56314698	1	Kit, OnBoard Charger, GEL ( <b>Advance only</b> ) <b>TSBUS2008-984</b>
<b>Nilfisk Only Kits</b>			
**	56316520	1	Kit, Deck BR 600S ( <b>Nilfisk only</b> ) <b>NOTE 1</b>
**	56316521	1	Kit, Deck BR 600SC ( <b>Nilfisk only</b> ) <b>NOTE 1</b>
**	56316522	1	Kit, Deck BR 700S ( <b>Nilfisk only</b> ) <b>NOTE 1</b>
**	56316523	1	Kit, Deck BR 700SC ( <b>Nilfisk only</b> ) <b>NOTE 1</b>
**	56316186	1	Kit, Dual Vac Motor ( <b>Nilfisk only</b> ) <b>NOTE 1</b>
<b>28" Squeegee Blade Kits</b>			
**	56314303	1	Kit, Standard Squeegee Blade <b>NOTE 2</b>
**	56314304	1	Kit, Linatex Squeegee Blade <b>NOTE 2</b>
**	56314305	1	Kit, Neoprene Squeegee Blade <b>NOTE 2</b>
<b>32" / BR 800S Trio EDS Squeegee Blade Kits</b>			
**	56314060	1	Kit, Standard Squeegee Blade <b>NOTE 2</b>
**	56314061	1	Kit, Linatex Squeegee Blade <b>NOTE 2</b>
**	56314062	1	Kit, Neoprene Squeegee Blade <b>NOTE 2</b>
<b>Disk Deck Blade Kits</b>			
**	56316194	1	Kit, Side Skirt <b>NOTE 3</b>
<b>Advance Optional Batteries</b>			
**	56391391	6	Battery, 6V, 305A/H
**	56206079	6	Battery, 6V, 235A/H
**#	56315959	6	Battery, 6V 315A/H AGM
<b>Advance Optional Battery Chargers</b>			
**	56395101	A/R	Battery Charger, 36VDC, Auto, 20Amp, 120VAC/60HZ
**	56388502	A/R	Battery Charger, 36VDC, Auto, 25Amp, 120VAC/60HZ
**	56388120	A/R	Battery Charger, 36VDC, Auto, 36Amp, 120VAC/60HZ
**	56372190	A/R	Battery Charger, 36VDC, 20Amp, 230VAC/50HZ
**	56388119	A/R	Battery Charger, 36VDC, 36Amp, 230VAC/50HZ
<b>Accessories</b>			
**	56409441	A/R	Programmer, 1311 User
**	56409823	A/R	Programmer Cable

\*\* = Optional, Not Included

**NOTE 1:** Replacement parts for the kits listed above can be found on each kit's associated instruction sheet.

**NOTE 2:** All squeegee blade kits include both front and rear squeegee blades.

**NOTE 3:** All deck blade kits include all skirts required for the scrub deck.

DESCRIPTION	PAGE
Chassis System .....	2-3
Decal System .....	4-5
Detergent Injection System (AXP/EDS) .....	6-7
Drive & Brake Pedal Assemblies.....	8-9
Electrical Panel Assembly .....	10-11
Front Wheel Assembly .....	12-13
Recovery System .....	14-15
Scrub System.....	16-17
Skirt Assemblies .....	18-19
Solution System .....	20-21
Squeegee Assembly .....	22-23
Squeegee System.....	24-25
Steering Column Assembly .....	26-27
Battery Watering System.....	28-29
On-Board Charger Kit .....	30-31
Wiring Diagram .....	32-33

#### WHEN ORDERING PARTS

- \* Use the 8 digit numbers from the "Ref. No." columns in this parts list.
- \* Specify the model and serial number of the machine.
- \* Use the space below to record the model and serial number for future reference.

Model \_\_\_\_\_ Serial No. \_\_\_\_\_

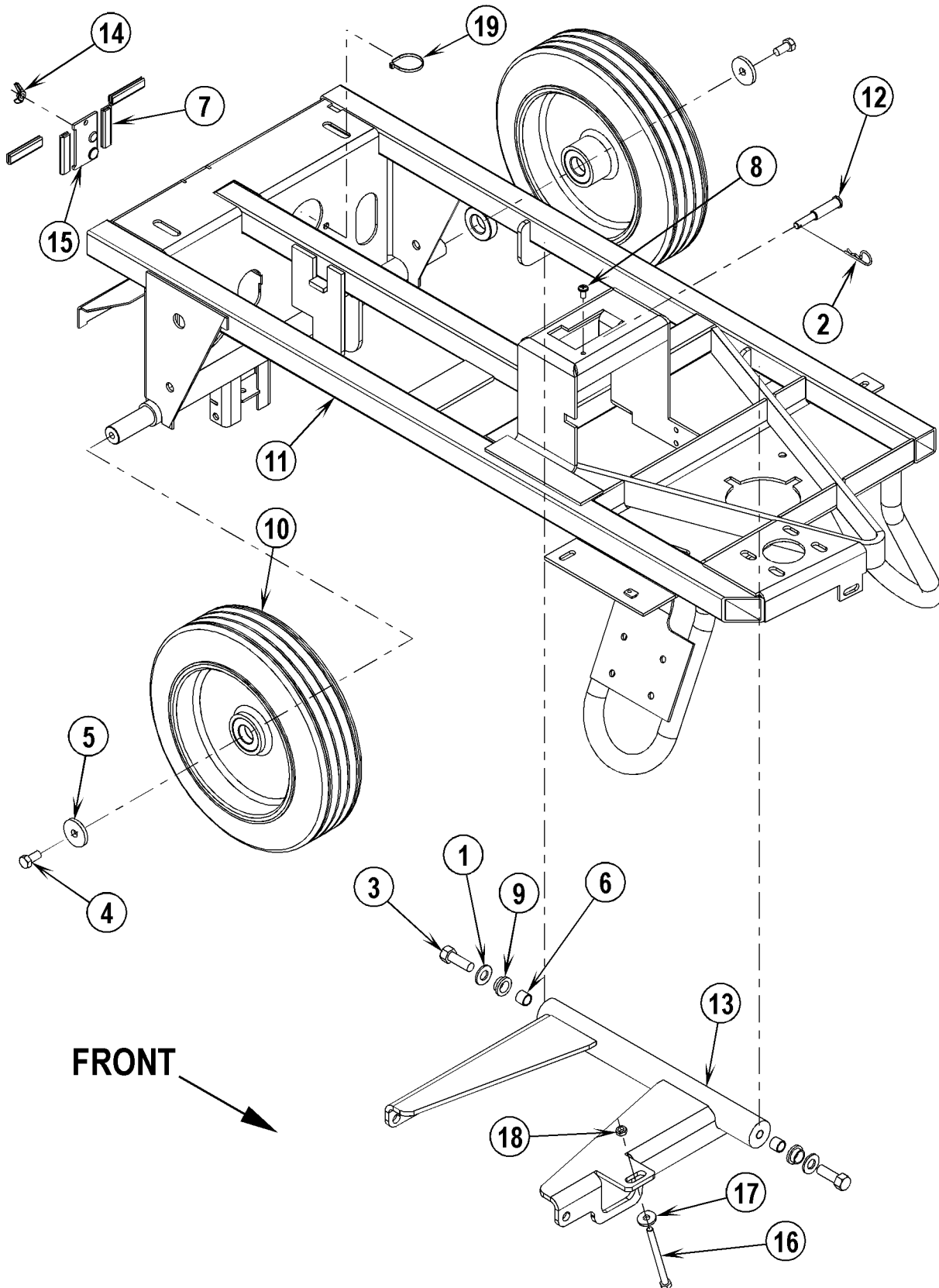
**CHASSIS SYSTEM**

06-7

2

Adhancer™ / BR 800S TRIO EDS™

07-2



06-7

**CHASSIS SYSTEM**

07-2

**Adhancer™ / BR 800S TRIO EDS™****3**

Item	Ref. No.	Qty	Description
1	56001879	2	Wsh, Flt SAE 1/2
2	56002959	1	Pin, Cotter Hair
3	56003412	2	Scr, Hex Nyl Loc M12-1.25 x 35mm
4	56003442	2	Scr, Hex Nyl Loc M10-1.50 x 20mm
5	56367117	2	Wsh, Flt .406 x 1.50 x .1875
6	56367206	2	Bushing
7	56412122	4	Trim Edge
8	56009062	1	Scr, Pan Phil Thd Form 1/4-20 x .50
9	56420160	2	Bearing, Flange
10	56412341	2	Assembly, Wheel and Bearing (each assembly includes two bearings)
	56412243	4	Bearing, Ball
**	56412341	2	Wheel Assy, Scrubber
11	56314092	1	Weldment, Chassis
12	56314152	1	Pin, Actuator
13	56314495	1	Linkage, Arm Weldment
14	56002084	1	Nut, Wing 1/4-20
15	56314537	1	Squeegee Stop Bracket
16	56002461	1	Scr, Hex Thd To Hd 5/16-18 x 4.00
17	56009122	1	Wsh, Flt .344 x .938 x .125
18	56009086	1	Nut, Hex Jam 5/16-18
19	56478246	1	Tie, Cable
*	56478246	5	Tie, Cable
*	56477613	9	Cable Tie

\* = Not Shown

\*\* = Optional

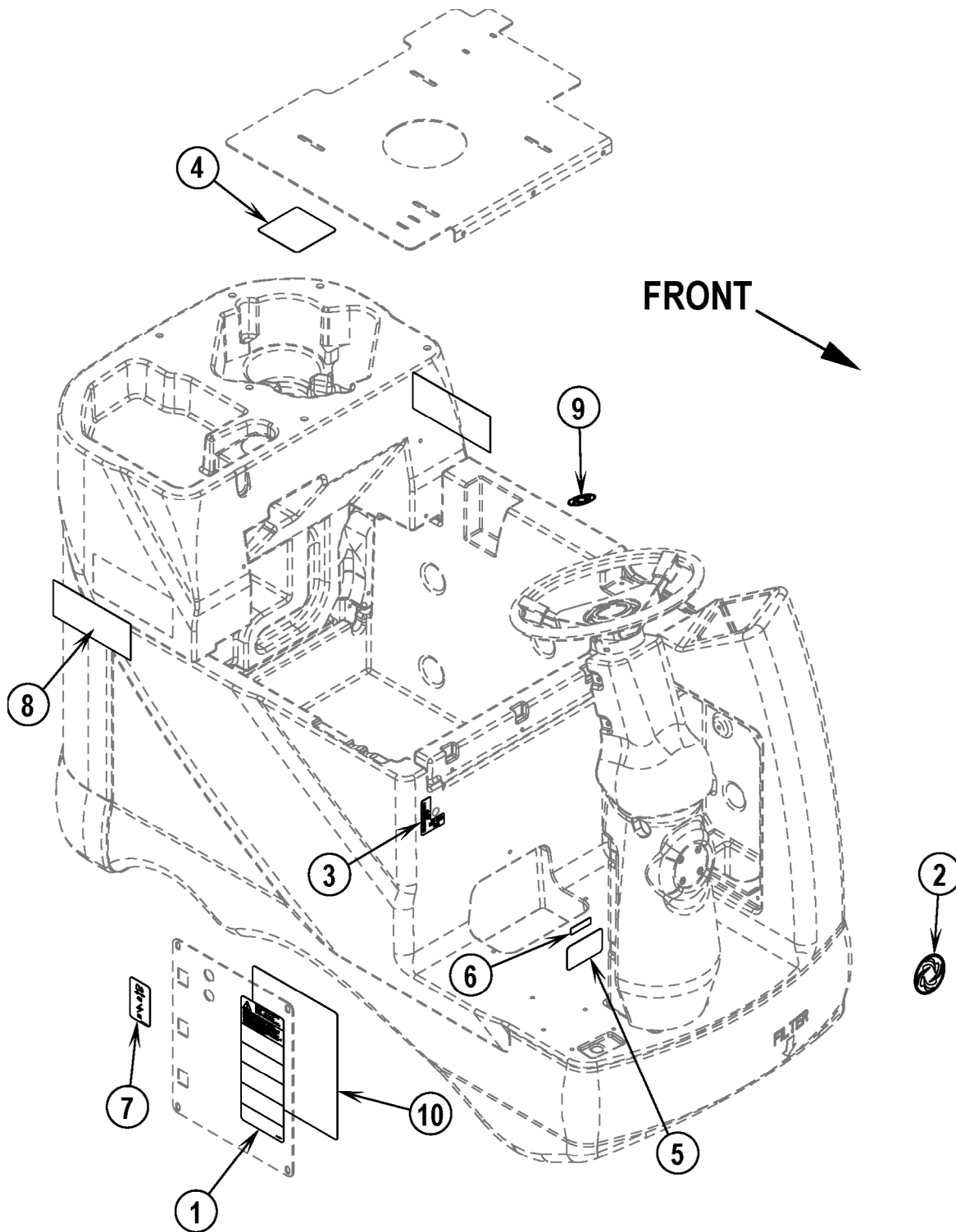
DECAL SYSTEM

06-7

4

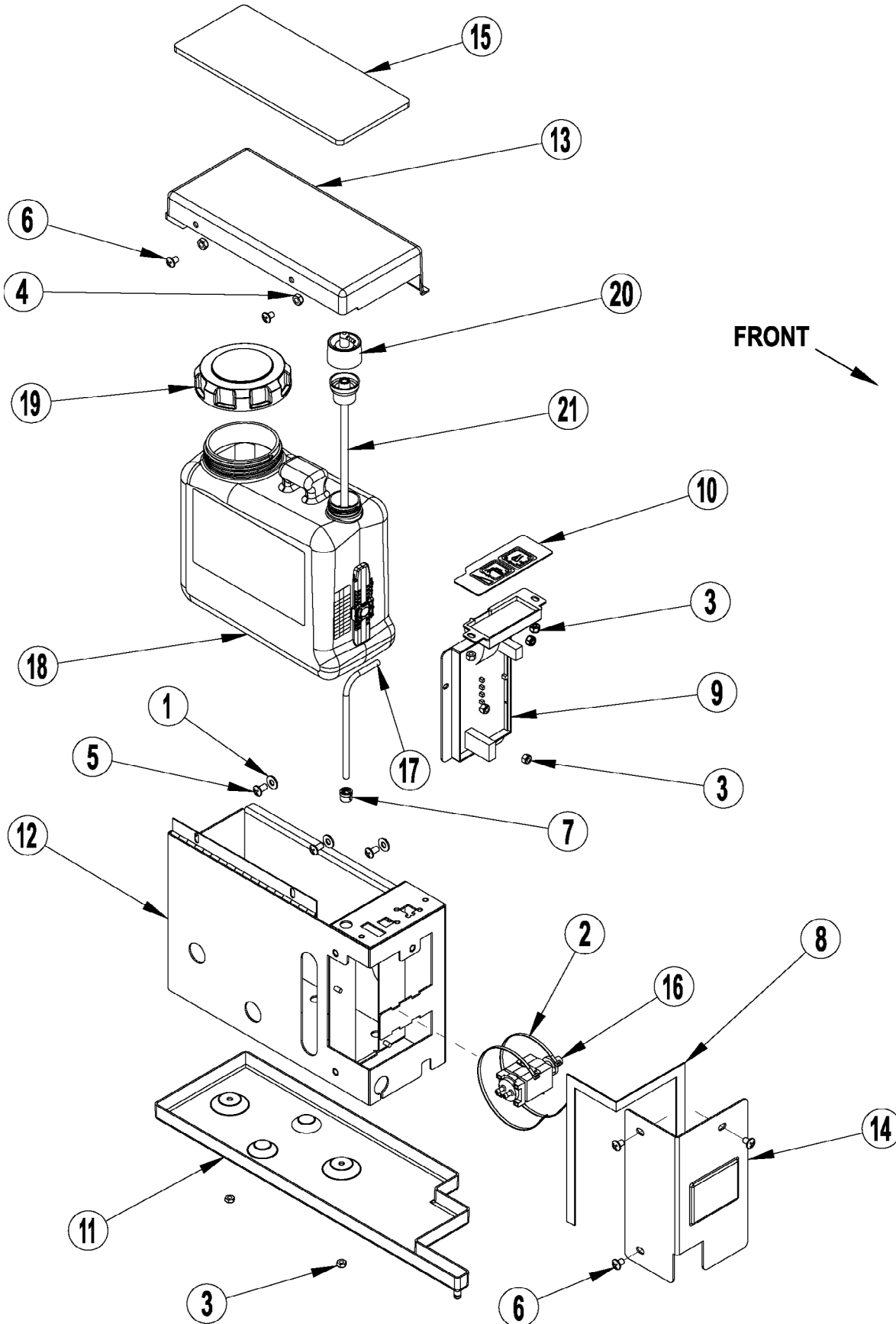
Advancer™ / BR 800S TRIO EDS™

08-3



06-7	<b>DECAL SYSTEM</b>		
06-8	<b>Adhancer™ / BR 800S TRIO EDS™</b>		<b>5</b>

Item	Ref. No.	Qty	Description
1	56014601	1	Decal, Caution
2	56015276	1	Decal, Logo
3	56015179	1	Decal, Emergency
4	56015168	1	Decal, Battery Wiring
5	56016401	1	Decal, Parking Brake
6	56014450	1	Decal, Patent Number
7	56016403	1	Decal, Circuit Breaker
8	56016447	2	Decal, Adhancer <b>(Advance only)</b>
	56015303	2	Decal, BR 800S TRIO EDS <b>(Nilfisk only)</b>
9	56015281	1	Decal, Logo 2 Inch
10	56016746	1	Decal, Ladder Diagram

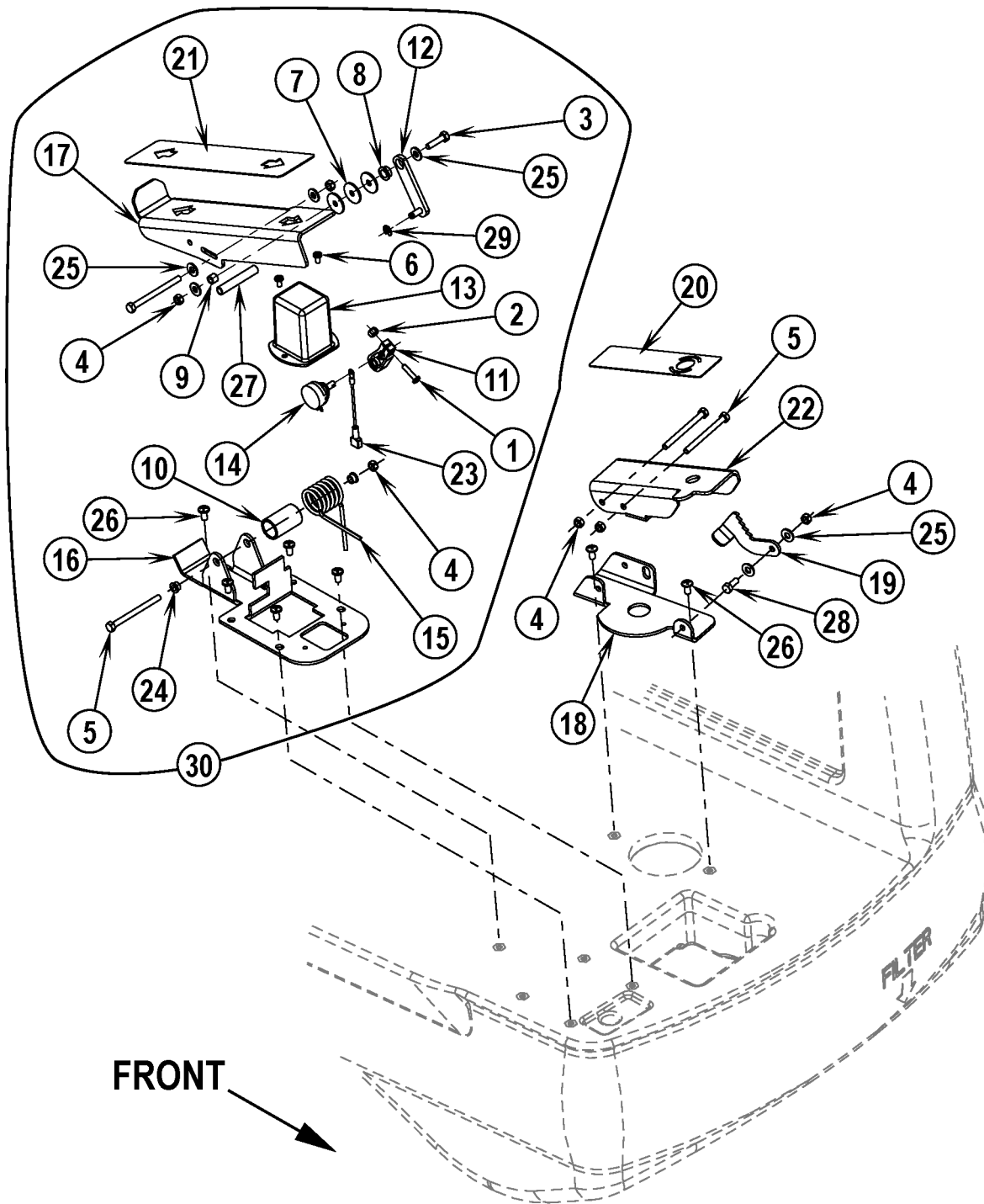




06-7	<b>DETERGENT INJECTION SYSTEM (AXP/EDS)</b>		
08-3	<b>Adhancer™ / BR 800S TRIO EDS™</b>		<b>7</b>

Item	Ref. No.	Qty	Description
	56316216	1	Detergent Injection Assembly (items 1-21)
1	56009025	3	Wsh, Flt .266 x .750 x .036
2	56478523	2	Tie, Cable
3	56002832	8	Nut, Hex Nyl Loc-Thin 10-24
4	56002840	2	Nut, Hex Nyl Loc-Thin 1/4-20
5	56002145	3	Scr, Pan Phil 1/4-20 x .50
6	56003580	5	Scr, Pan Phil SS 1/4-20 x .38
7	56003699	1	Bushing, 1/4 ID Snub
8	56200754	1	Gasket, Strip
9	56316217	1	Control Assembly
10	56314937	1	Control Decal
11	56314939	1	Tray, Detergent
12	56314944	1	Weldment, Detergent Box
13	56314945	1	Cover, Detergent
14	56314946	1	Cover, Pump
15	56314953	1	Pad, Detergent
16	56314984	1	Pump, Detergent
17	56314991	1	Hose, Chem Resistant 14"
18	56315502	1	Chemical Bottle Assy.
	56315511	1	Indicator Assy
**#	56316081	A/R	AXP 3n1 Adhancing Agent, 4 pack
**#	56315503	A/R	Chem Bottle Assy (18-21)
19	56315517	1	Cap, Raw
20	56315523	1	Cap, Dry Break, 1/8 Barb, 90°
21	56315527	1	Insert, Dry Break

# = Revised or new since last update



06-7

**DRIVE & BRAKE PEDAL ASSEMBLIES**

08-3

**Adhancer™ / BR 800S TRIO EDS™****9**

Item	Ref. No.	Qty	Description
1	56002733	1	Scr, Pan Phil 10-24 x .88
2	56002768	1	Nut, Hex Nyl Loc 10-24
3	56003358	1	Scr, Hex M6-1.00 x 25mm
4	56003403	6	Nut, Hex Nyl Loc M6-1.00
5	56003428	4	Scr, Hex M6-1.00 x 75mm
6	56009030	2	Scr, Pan Phil Thd Form 10-24 x .38
7	56009060	3	Wsh, Flt SS .260 x 1.000 x .074
8	56324505	1	Bearing, Flange
9	56368989	1	Bushing
10	56409378	1	Spacer, Nylon
11	56409471	1	Lever, Throttle
12	56409610	1	Link Weldment
13	56412094	1	Housing, Potentiometer
14	56454740	1	Potentiometer, 5K (R1)
15	56314037	1	Spring, Torsion
16	56314038	1	Bracket, Foot Pedal
17	56314039	1	Foot Pedal
18	56314121	1	Bracket, Brake
19	56314122	1	Lock, Brake
20	56314138	1	Mat, Pedal
21	56314176	1	Mat, Pedal
22	56314463	1	Pedal Weldment
23	56412331	1	Wire Assy.
24	56756318	2	Bearing, Flange
25	56002098	7	Wsh, Flt SAE 1/4
26	56003119	7	Scr, Pan Phil SS 1/4-20 x .50
27	56314561	1	Bushing
28	56003174	1	Scr, Hex Thd to Hd M6-1.0 x 16mm
29	56003268	1	Ring, Ret Ext Type E Reinf. 0.25 Dia
30#	56413421	1	Pedal Assy

# = Revised or new since last update

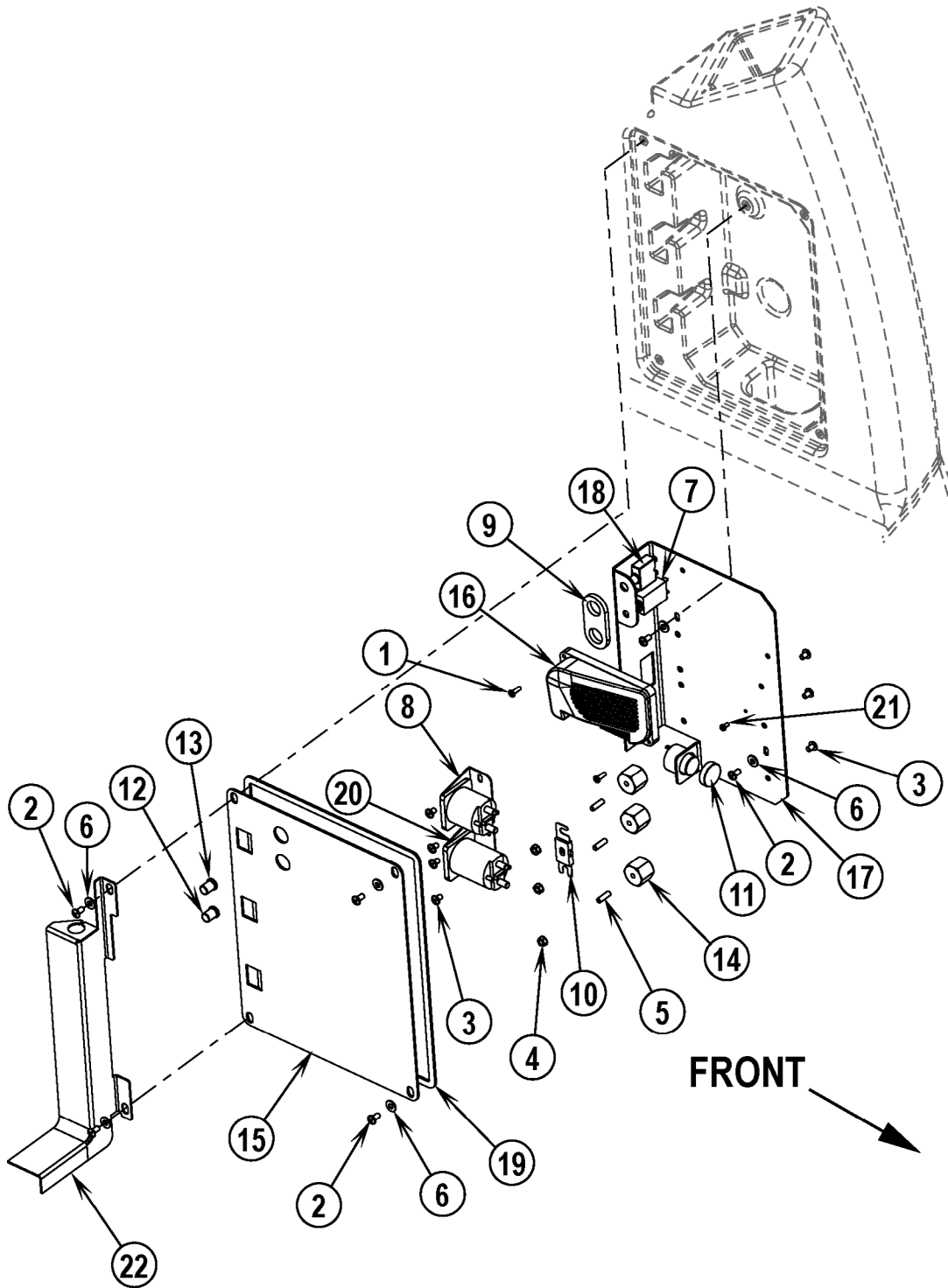
**ELECTRICAL PANEL ASSEMBLY**

06-7

10

Advancer™ / BR 800S TRIO EDS™

08-3



06-7

**ELECTRICAL PANEL ASSEMBLY**

08-3

**Adhancer™ / BR 800S TRIO EDS™****11**

Item	Ref. No.	Qty	Description
1	56002192	2	Scr, Pan Phil 10-24 x .75
2	56003119	6	Scr, Pan Phil SS 1/4-20 x .50
3	56002462	7	Scr, Pan Phil 1/4-20 x .38
4	56002561	3	Nut, Hex W/SHPRF 1/4-20
5	56009020	3	Stud
6	56002098	6	Wsh, Flt SAE 1/4
7	56387316	1	Circuit Breaker, 10 Amp <b>(Control Circuit / F3)</b>
8#	56395455	1	Contactactor <b>(Brush Drive / K1) (Advance only)</b>
9	56407193	1	Gasket
10	56412089	1	Fuse, 150 Amp <b>(F1)</b>
11	56412177	1	Horn / Backup Alarm <b>(H1)</b>
12	56459367	1	Boot, Reset Button
13	56459369	1	Boot, Reset Button
14	56469858	3	Standoff, Insulated
15	56314065	1	Cover, Electrical
16	56314067	1	Controller <b>(A1)</b>
17	56314068	1	Electrical Panel
18	56364294	1	Circuit Breaker, 45 Amp <b>(Wheel Drive / F2)</b>
19	56407169	1	Gasket
20#	56395453	1	Contactactor <b>(Vacuum System / K2) (Advance only)</b>
21	56009051	1	Scr, Pan Phil Thd Form 8-32 x .38
22	56314956	1	Weldment, Harness Guide

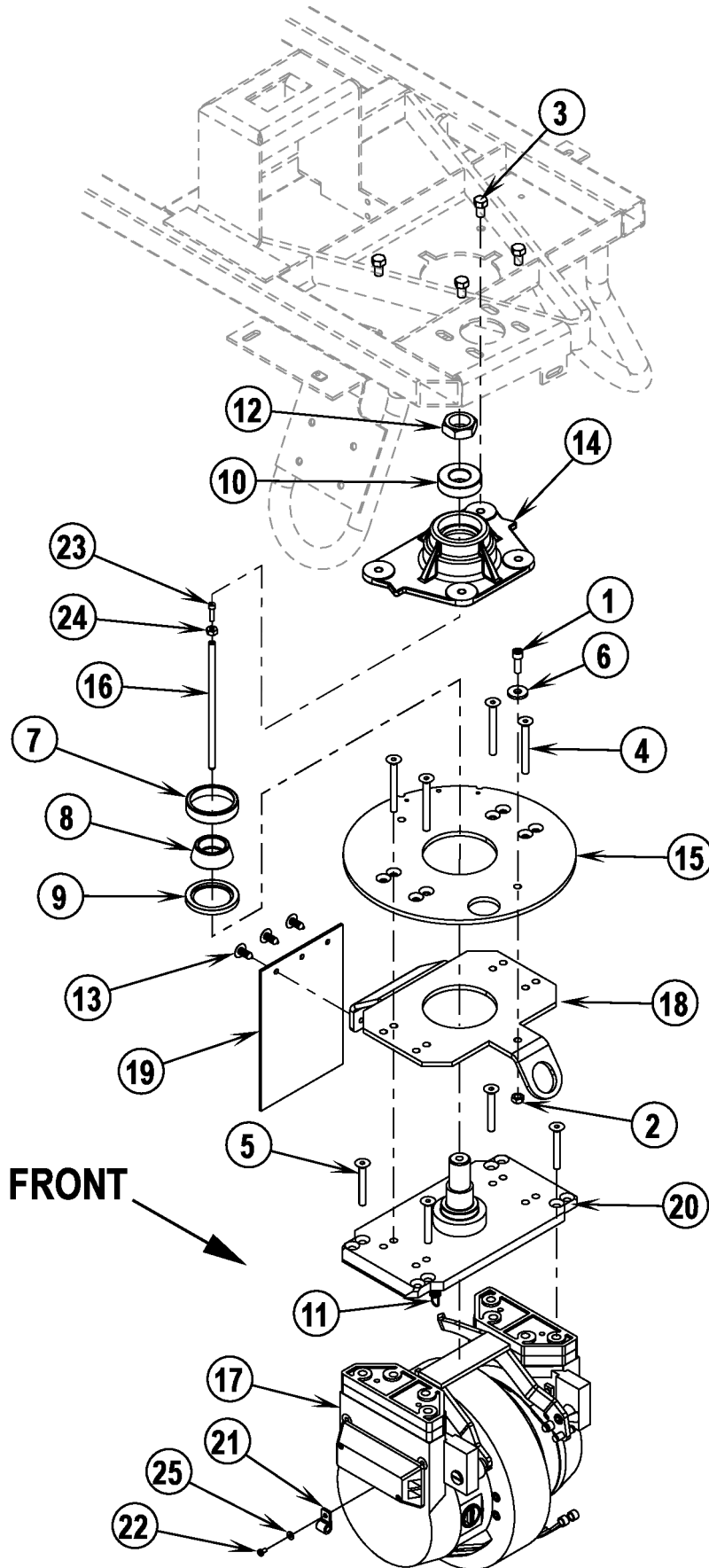
# = Revised or new since last update

# FRONT WHEEL ASSEMBLY

06-7

12

Adhancer™ / BR 800S TRIO EDS™

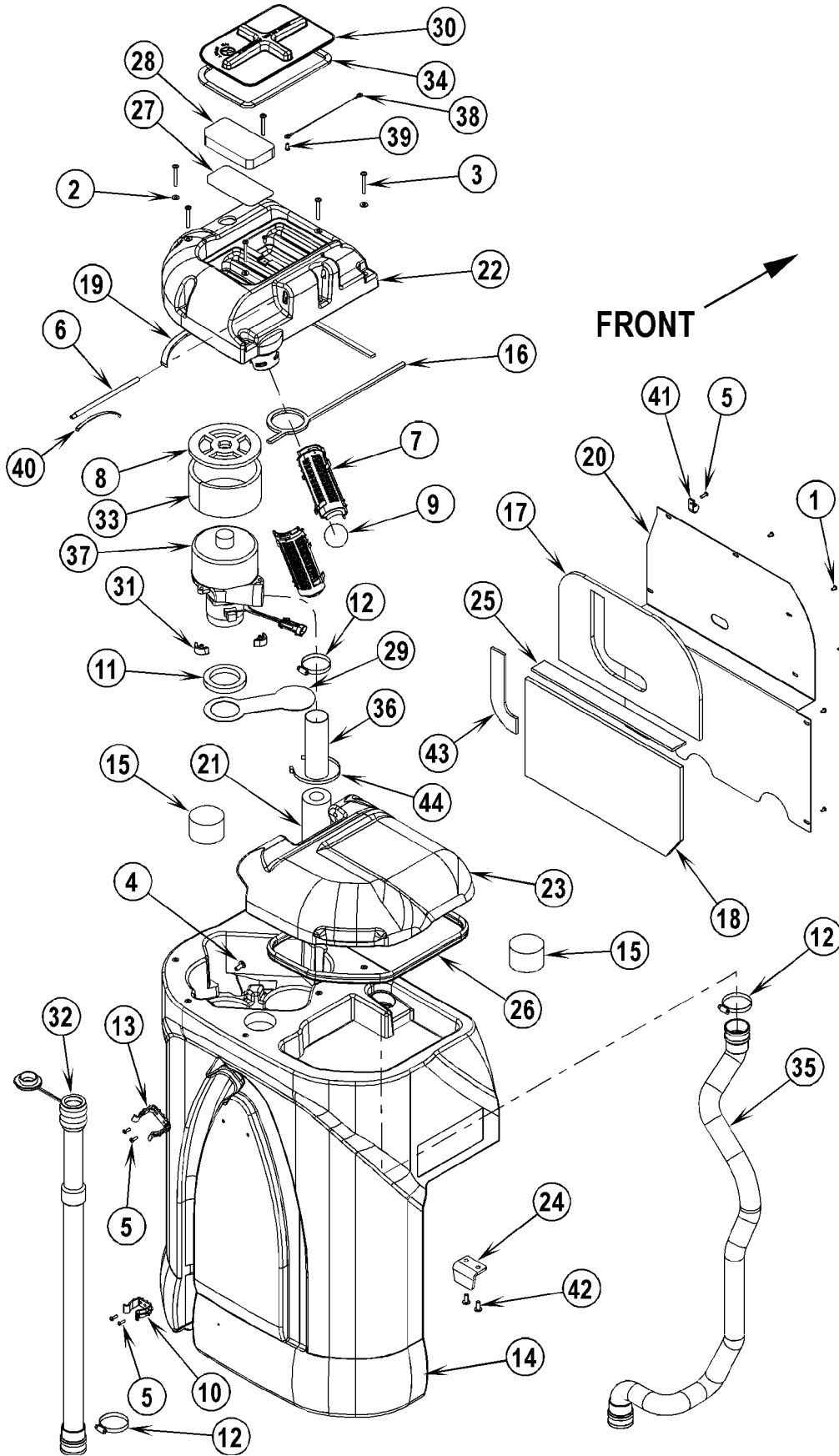


**FRONT WHEEL ASSEMBLY****Adhancer™ / BR 800S TRIO EDS™**

Item	Ref. No.	Qty	Description
1	56002158	1	Scr, Soc Hd 5/16-18 x .88
2	56002826	1	Nut, Hex Nyl Loc-Thin 5/16-18
3	56003040	4	Scr, Hex Hd Loc 3/8-16 x .62
4	56003273	4	Scr, Soc Hd M8-1.25 x 70mm
5	56003274	4	Scr, Soc Hd M8-1.25 x 55mm
6	56009122	1	Wsh, Flt .344 x .938 x .125
7	56158143	1	Bearing Cup
8	56158151	1	Bearing Cone
9	56171081	1	Seal, Shaft
10	56378380	1	Bearing, Ball
11	56481699	1	Spring
12	56003220	1	Nut, Hex Nyl Loc-Thin 1-14 UNF
13	56003263	3	Rivet, Nylon Tree Push-In
14	56314032	1	Block, Bearing
15	56314116	1	Plate, Steering
16	56314157	1	Rod, Brake
17	56314268	1	Motor / Drive Wheel Assy ( <b>M3</b> )
*	56314920	1	Drive Wheel Harness Kit
*	56314282	1	Brake Lever Weldment
*	56314289	1	Brake Band
*	56412320	1	Carbon Brush Cover Kit (contains 4 seal rings & 4 brush covers)
*	56412321	1	Sealing Ring
*	56412322	1	Bearing, Ball, Gearbox Side
*	56412323	1	Bearing, Ball, Brush Side
*	56412325	1	Carbon Brush Kit
*	56314291	1	Brake Bar
*	56314269	1	Drive Wheel – P7 Scrubber Compound
**	56412339	1	Drive Wheel – Polyurethane
18	56314278	1	Plate, Splash Guard
19	56314283	1	Splash Guard
20	56314085	1	Spindle Weldment
21	56305317	1	Clamp, P
22	56003653	1	Scr, Pan Phil M4 x 8
23	56003659	1	Scr, Button Soc SS 10-24 x .75
24	56009293	1	Nut, Hex Machine SS 10-24
25	56002006	1	Wsh, Flt SAE #6

\* = Not Shown

\*\* = Optional





Item	Ref. No.	Qty	Description
1	56002043	8	Scr, Pan Phil 10-24 x .38
2	56002098	7	Wsh, Flt SAE 1/4
3	56002108	6	Scr, Pan Phil 1/4-20 x 2.00
4	56002793	1	Scr, Pan Phil 5/16-18 x .75
5	56002896	5	Scr, Pan Phil SS 10-24 x .62
6	56314115	1	Pin, Cover Pivot
7	56324497	2	Cage, Float
8	56314704	1	Gasket
9	56391690	1	Ball, Float
10	56407361	1	Clamp, Plastic
11	56314760	1	Gasket, Vacuum Duct
12	56440213	3	Clamp, Hose SAE #32
13	56212236	1	Clamp, Plastic
14	56314036	1	Tank, Recovery
15	56314098	2	Foam Cylinder
16	56314099	1	Gasket
17	56314100	1	Muffler, Top Panel
18	56314101	1	Muffler, Bottom Panel
19	56314103	1	Gasket
20	56314749	1	Cover, Exhaust NOTE 1
21	56391807	1	Foam Acoustical NOTE 2
22	56314201	1	Cover, Vac Motor
23	56314203	1	Lid, Recovery
24	56314220	2	Tank Mount Bracket
25	56314706	1	Foam, Sound NOTE 2
26	56314371	1	Gasket
27	56314372	1	Screen, Filter
28	56314373	1	Filter
29	56314376	1	Plate, Separator
30	56314461	1	Lid, Vac Filter
31	56314484	3	Mount, Vibration
32	56314487	1	Drainhose
33	56314488	1	Muffler, Vac
34	56314491	1	Gasket
35	56314533	1	Vac Hose Assy
36	56458457	1	Hose, Vac 2.00 x 6.0 x 975018 NOTE 2
37	56397228	1	Motor, Vac 36VDC (M5 / Advance only)
*	56212223	1	Carbon Brush Set
	56410065	1	Vac Motor Assy (M5 / Nilfisk only)
*	56212223	1	Carbon Brush Set
38	56314400	1	Wire Rope, 9 Inch
39	56009191	2	Scr, Pan Phil Plastite 10-14 x .50
40	56314509	1	Spring
41	56385564	1	Clamp, P
42	56002507	4	Scr, Pan Phil 1/4-20 x .75
43	56314705	1	Foam, Sound NOTE 2
44	56477613	1	Tie, Cable NOTE 2
*	56314251	1	Harness Vac

\* = Not Shown

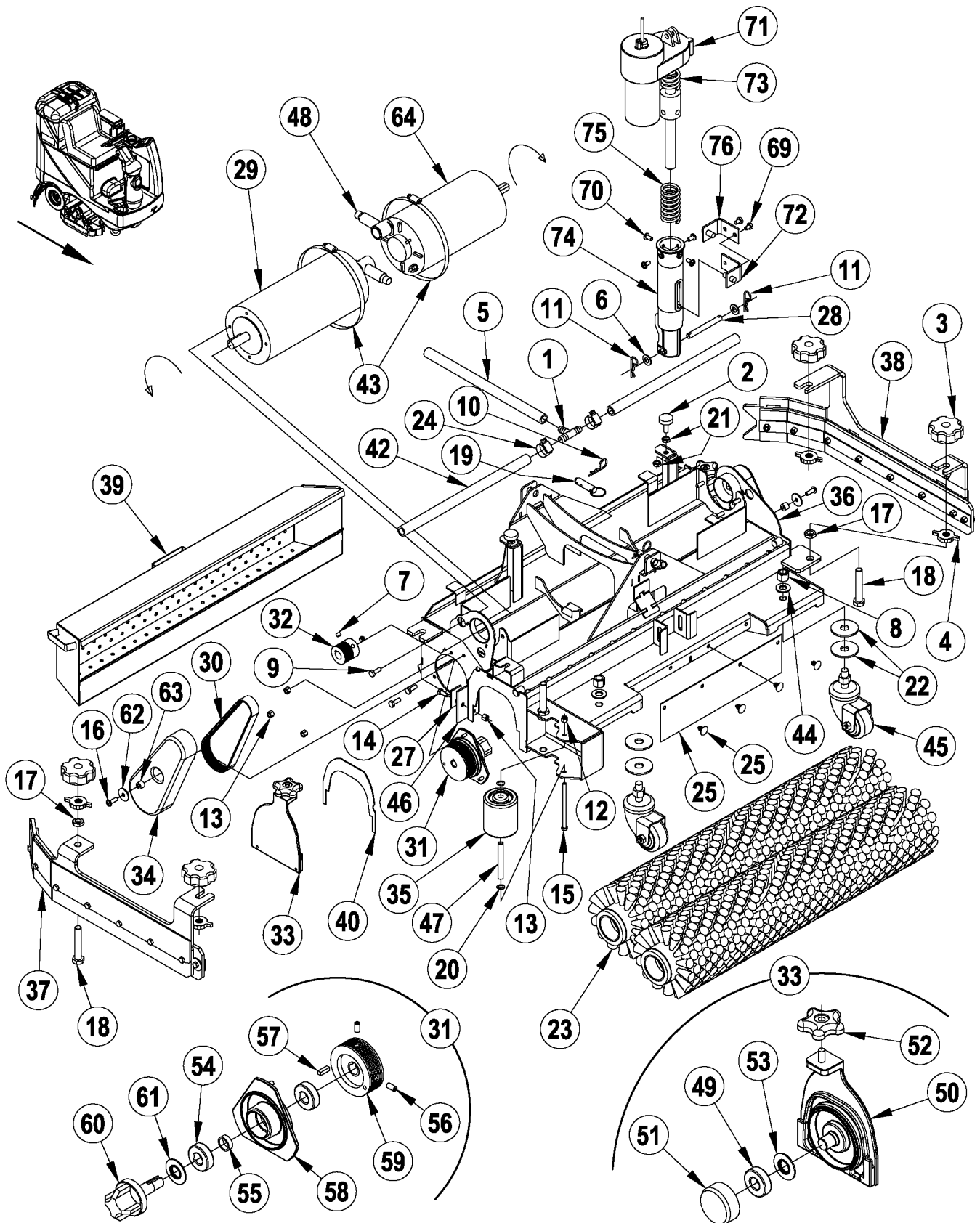
# SCRUB SYSTEM

06-7

16

Adhancer™ / BR 800S TRIO EDS™

07-2

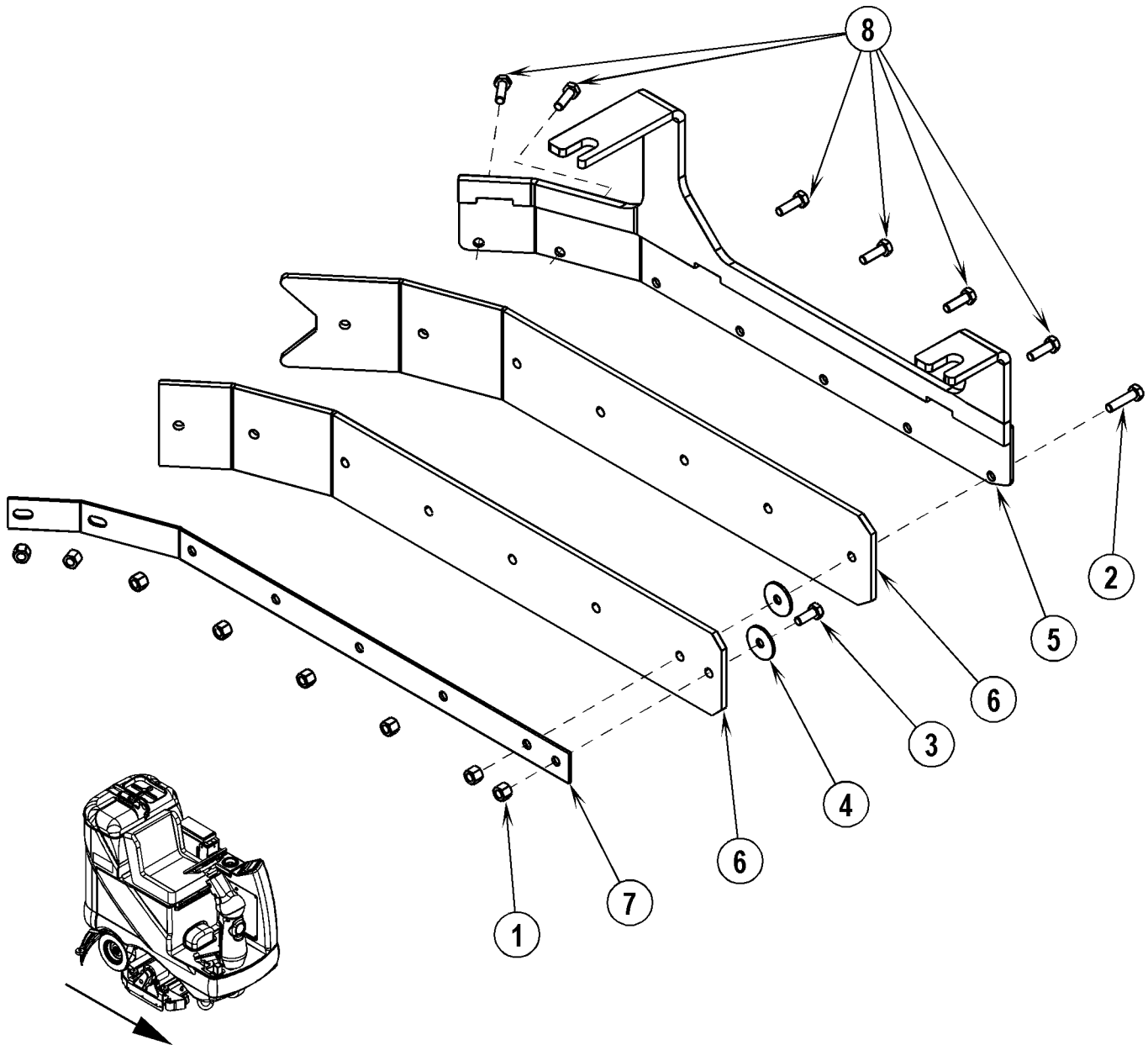


Item	Ref. No.	Qty	Description	Item	Ref. No.	Qty	Description
1	56262549	1	Tee, Barb	49	56106070	1	Bearing, Ball
2	56401783	2	Leveler	50	56316086	1	Idler Bearing Plate, Polished
3	56407114	4	Knob	51	56316175	1	Hub, Aluminum
4	56407334	4	Knob	52	56396254	1	Knob
5	56409462	1	Hose, Spiral	53	56407558	1	Washer, Bearing
6	56002063	2	Wsh, Flt SAE 3/8				
7	56002086	4	Scr, Soc Set Loc 5/16-18 x .25	54	56002119	2	Scr, Soc Set Loc 1/4-20 x .50
8	56002770	2	Nut, Hex Nyl Loc 1/2-13	55	56003237	1	Key, Sq .19 x .62
9	56002948	6	Scr, Hex Hd Loc 1/4-20 x .75	56	56106070	2	Bearing, Ball
10	56002959	2	Pin, Cotter Hair	57	56315405	1	Bearing Plate
11	56003120	2	Pin, Cotter Hair .0915 x .375	58	56316054	1	Sheave, Poly-V
12#	56003403	1	Nut, Hex Nyl Loc M6-1 (qty of 2 on 32" / BR 800s Trio EDS)	59	56316072	1	Spindle, Stainless
13	56003426	8	Nut, Hex Nyl Loc SS M6-1	60	56407389	1	Spacer
14	56003431	2	Scr, Hex SS M6-1 x 16mm	61	56407558	1	Washer, Bearing
15#	56003492	1	Scr, Hex M6-1 x 95mm (qty of 2 on 32" / BR 800s Trio EDS)	62	56009060	2	Wsh, Flt SS .260 x 1.000 x .074
16	56009126	2	Scr, Pan Phil Thd Form 1/4-20 x .75	63	56244941	2	Bushing .31 x .50 x .40
17	56003657	4	Nut, Hex Jam SS M12-1.75	64	56315611	1	Motor, 36 VDC, .75 HP, 1800 RPM
18	56003658	4	Scr, Hex Thd to Hd SS M12-1.75 x 70mm	65			Intentionally Omitted
19	56003671	2	Pin, Ring .50 x 1.25	66			Intentionally Omitted
20#	56009045	2	Wsh, Bowed .375 x .578 x .060 (qty of 4 on 32" / BR 800s Trio EDS)	67			Intentionally Omitted
21	56009086	4	Nut, Hex Jam 5/16-18	68			Intentionally Omitted
22	56003739	4	Wsh, Flt Nylon .625 x 2.000 x .125	69	56009019	2	Scr, Hex Thd Form 1/4-20 x .38
23#	56316050	2	Brush, Wash & Shine (28") NOTE 1	70	56009062	4	Scr, Pan Phil Thd Form 1/4-20 x .50
#	56316051	2	Brush, Wash & Shine (32" / BR 800S Trio EDS) NOTE 1	71	56393303	1	Actuator, Motor
24	56112771	2	Clamp, Hose SAE #10	*	56470433	1	Carbon Brush Kit
25	56316193	1	Kit, Splash Guard NOTE 2	*	56393790	2	Limit Switch
*	56316210	2	Harness, Brush Motor (Not Shown)	*	56388520	1	Plastic Nut
*	56316124	1	Harness, Scrub Brush Ground (Not Shown)	72	56420020	1	Nut Retainer
27	56314436	2	Strap	73	56412071	1	Compression Spring
28	56315161	1	Pin	74	56412262	1	Housing, Spring
29	56316052	1	Motor, 36 VDC, 1.25 HP, 3000 RPM	75	56420018	1	Compression Spring
30	56316053	2	Belt, Auto Tension	76	56420019	1	Nut Retainer
31	56316057	2	Drive End Assy (items 54-61)				* = Not Shown
32	56316066	2	Sheave, Poly-V				# = Revised or new since last update
33	56316087	2	Idler End Assy, Polished (items 49-53)				
34	56316088	2	Cover, Belt				
35#	56316089	1	Wheel (qty of 2 on 32" / BR 800s Trio EDS)				
36	56316127	1	Housing Weld't (28")				
#	56316128	1	Housing Weld't (32" / BR 800s Trio EDS)				
37	56316141	1	Right Skirt Assy (see Skirt Assemblies)				
38	56316142	1	Left Skirt Assy (see Skirt Assemblies)				
39	56316144	1	Hopper Weld't (28")				
#	56316145	1	Hopper Weld't (32" / BR 800s Trio EDS)				
40	56316191	2	Gasket				
41			Intentionally Omitted				
42	56316553	2	Manifold, PVC 28 Adv (28")				
#	56316552	2	Manifold, PVC 32 Adv (32" / BR 800s Trio EDS)				
43	56355488	2	Clamp, Hose SAE #96				
44	56001879	2	Wsh, Flt SAE 1/2				
45	56407344	2	Caster Wheel				
46	56407391	2	Blade				
47#	56412176	1	Bushing (qty of 2 on 32" / BR 800s Trio EDS)				
48	56493357	2	Insulator, Terminal				

NOTE 1: Cannot use any other brushes.

NOTE 2: Splash Guard Kit includes; Splash Guard and 4 panel clips.

Left Skirt Assembly Shown



06-7

**SKIRT ASSEMBLIES**

06-12

**Adhancer™ / BR 800S TRIO EDS™****19**

Item	Ref. No.	Qty	Description
	56316142	1	Left Skirt Assembly
	56316141	1	Right Skirt Assembly
1	56003426	8	Nut, Hex Nyl Loc SS M6-1 <b>NOTE 1</b>
2	56003430	1	Scr, Hex SS M6-1 x 25mm <b>NOTE 1</b>
3	56003431	1	Scr, Hex SS M6-1 x 16mm <b>NOTE 1</b>
4	56009060	2	Wsh, Flt SS .260 x 1.000 x .074 <b>NOTE 1</b>
5	56316140	1	Skirt Bracket Weld't ( <b>left skirt assembly</b> )
	56316139	1	Skirt Bracket Weld't ( <b>right skirt assembly</b> )
6	56316194	1	Kit, Side Skirt <b>NOTE 2</b>
7	56316183	1	Retainer, Skirt <b>NOTE 1</b>
8	56003454	6	Scr, Hex Thd to Hd SS M6-1 x 20mm <b>NOTE 1</b>

**NOTE 1:** Quantities are for one skirt assembly only, there are two skirt assemblies on the machine.

**NOTE 2:** Side Skirt Kit includes 4 side skirt blades (2 for each side skirt).



Item	Ref. No.	Qty	Description	Item	Ref. No.	Qty	Description
1	56255076	1	Cap, Pipe GHT Nylon	*	56316114	1	Harness, Main
2	56368776	1	Washer, Rubber	45	56314253	1	Charge Connector Assy
3	56372673	2	Boot, Battery Post	46	56314264	1	Hinge Bracket
4	56468553	1	Bushing, .27 x .37 x 1.3	47	56314292	1	Bar, Disconnect
5	56900273	1	Barb	48	56314904	1	Tube
6	56001939	4	Wsh, Flt SAE 5/16	49	56314608	4	Clamp, Cable
7	56001954	5	Wsh, Flt SAE #10	50	56314757	1	Barb, 90 Elbow 3/4 x 1/2NPT
8	56418669	2	Reducer, Barb	51	56314758	1	Tee, Barb
9#	56002035	8	Scr, Hex 5/16-18 x .62	52	56314881	1	Bracket, Valve
10	56002043	3	Scr, Pan Phil 10-24 x .38	53	56314899	1	Valve, Solution
11	56002066	3	Scr, Pan Phil 1/4-20 x .62	54	56314940	1	Solution Tank
12	56002098	7	Wsh, Flt SAE 1/4	55	56314947	1	Hose, Chem Resistant
13	56002108	1	Scr, Pan Phil 1/4-20 x 2.00	56	56314943	1	Brkt, Seat
14	56002171	4	Scr, Pan Phil 10-24 x 2.00	57	56314949	1	Weld't, Seat Mount
15	56002674	5	Scr, Pan Phil 10-24 x 1.00	58	56314960	1	Cover, Actuator
16	56002755	1	Scr, Flt Phil 1/4-20 x .50	59	56316216	1	Assembly, Detergent Inject.
17	56002793	2	Scr, Pan Phil 5/16-18 x .75	60	56314965	1	Hose, PVC 1/4 x 3/8
18	56002840	1	Nut, Hex Nyl Loc-Thin 1/4-20	61	56314973	1	Hinge
19	56002900	7	Scr, Pan Phil SS 10-24 x .50	62	56314980	1	Harness, Chemical System
20	56002997	3	Scr, Pan Phil 1/4-20 x 1.75	63	56314983	1	Tee Assembly
21	56003178	3	Scr, Hex M8-1.25 x 16mm	64	56315108	1	Pump, 24VDC
22#	7-82-00050	1	Switch (S2)	65	56397189	1	Spacer
23	56003268	2	Ring, Ret Ext Type E Reinf. 0.25 Dia	66	56397215	1	Solenoid Valve Assy. 36V
24	56003389	3	Nut, Hex Nyl Loc M8-1.25	67	56397508	1	Charge Connector Assy
25	56009002	2	Wsh, Flt .266 x .906 x .060	68	56410162	1	Hose, Spiral .75 ID x 7.00
26	56009122	4	Wsh, Flt .344 x .938 x .125	69			Intentionally Omitted
27	56009205	4	Wsh, Flt SS .219 x .500 x .047/.062	70	56442003	1	Clamp, P
28	56009206	4	Scr, Truss Phil-Blk 10-24 x .50	71	56469380	1	Clamp, P
29	56046309	2	Spacer, Phenolic	72	56478246	2	Tie, Cable
30	56050872	1	Spacer, Phenolic	73	56314339	1	Kit, Battery Connector (items 74-77) (Advance only)
31	56112771	4	Clamp, Hose SAE #10	74	56441600	1	Cable, Battery
32	56219932	12	Clamp, Hose SAE #6	75	56456460	4	Cable, Battery
33	56262180	3	Hose, Spiral .50 Id x 7.00	76	56478246	10	Tie, Cable
34	56263218	1	Hose, .75 Clear PVC	77	56372673	10	Boot, Battery Post
35	56409462	1	Hose, Spiral .50 ID x 12	78	56002733	2	Scr, Pan Phil 10-24 x .88
36#	8-69-00022	1	Seat <b>NOTE 3</b>	*	56314119	1	Spacer, Battery (Advance only)
37	56314066	1	Cover, Solution Tank, Assy		56316209	1	Check Valve Assembly (items 79-83)
38	56314069	1	Gasket	79	56315522	1	Check Valve, 1/8 Barb, 125 PSI
39	56316109	1	Control Panel Assembly	80	56315524	1	Hose, Chem Resistant, 7"
40	56314147	1	Strainer	81	56316208	1	Check Valve, 1/8 Barb, 125 PSI
41	56314155	5	Clamp, Cable	82	56316211	3	Hose, Chem Resistant, 2"
42	56316526	1	Tank Mount Bracket	83	56413691	1	Fitting, Y, Barb, .125
43	56314223	1	Prop Rod				
44	56412187	2	Solution Drain Hose				

\* = Not Shown

# = Revised or new since last update

**NOTE 1:** 2" hose - to chemical pump outlet.**NOTE 2:** 7" hose - locate near and point towards bottom of chemical pump compartment.**NOTE 3:** Seat 56314035 is obsolete and replaced by 8-69-00022 in production. Order Seat kit 56109292 to replace in the field.

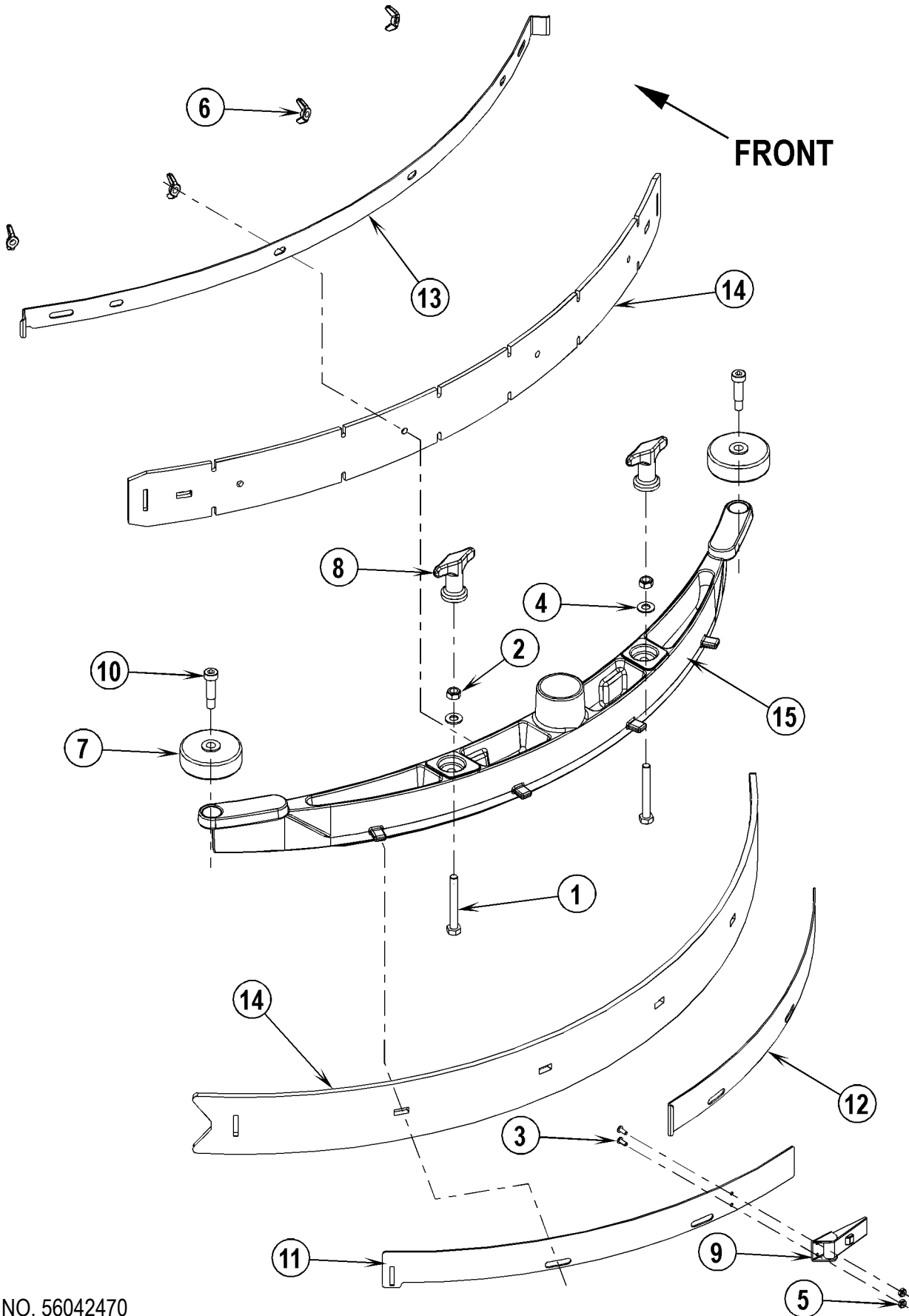


# SQUEEGEE ASSEMBLY

06-7

22

Adhancer™ / BR 800S TRIO EDS™





Item	Ref. No.	Qty	Description
	56314020	1	Squeegee Assy (28")
	56314358	1	Squeegee Assy (32" / BR 800s Trio EDS)
1	56003736	2	Scr, Hex Hd SS 5/16-18 x 2.75
2	56002851	2	Nut, Hex Nyl Loc-Thin SS 5/16-18
3	56002909	2	Scr, Pan Phil SS 6-32 x .38
4	56002938	2	Wsh, Flt SAE SS 5/16
5	56002907	2	Nut, Hex Nyl Loc SS 6-32
6	56009111	4	Nut, Wing SS 1/4-20
7	56324350	2	Wheel
8	56370711	2	Nut, Thumb
9	56471194	1	Latch Assy
10	56003472	2	Scr, Soc Shd .38 x 1.00 x 5/16-18
11	56314026	1	Strap, Left Rear (28")
#	56314323	1	Strap, Left Rear (32" / BR 800s Trio EDS)
12	56314027	1	Strap, Right Rear (28")
#	56314324	1	Strap, Right Rear (32" / BR 800s Trio EDS)
13	56314028	1	Strap, Front (28")
#	56314322	1	Strap, Front (32" / BR 800s Trio EDS)
14	56314303	1	Kit, Standard Squeegee Blade (28")
#	56314060	1	Kit, Standard Squeegee Blade (32" / BR 800s Trio EDS)
15	56314271	1	Squeegee Tool, Cast (28")
#	56314325	1	Squeegee Tool, Cast (32" / BR 800s Trio EDS)
<b>28" Squeegee Blade Kits</b>			
**#	56314303	1	Kit, Standard Squeegee Blade <b>NOTE 1</b>
**	56314304	1	Kit, Linatex Squeegee Blade <b>NOTE 1</b>
**	56314305	1	Kit, Neoprene Squeegee Blade <b>NOTE 1</b>
<b>32" / BR 800S Trio EDS Squeegee Blade Kits</b>			
**#	56314060	1	Kit, Standard Squeegee Blade <b>NOTE 1</b>
**	56314061	1	Kit, Linatex Squeegee Blade <b>NOTE 1</b>
**	56314062	1	Kit, Neoprene Squeegee Blade <b>NOTE 1</b>

\*\* = Optional, Not Included

# = Revised or new since last update

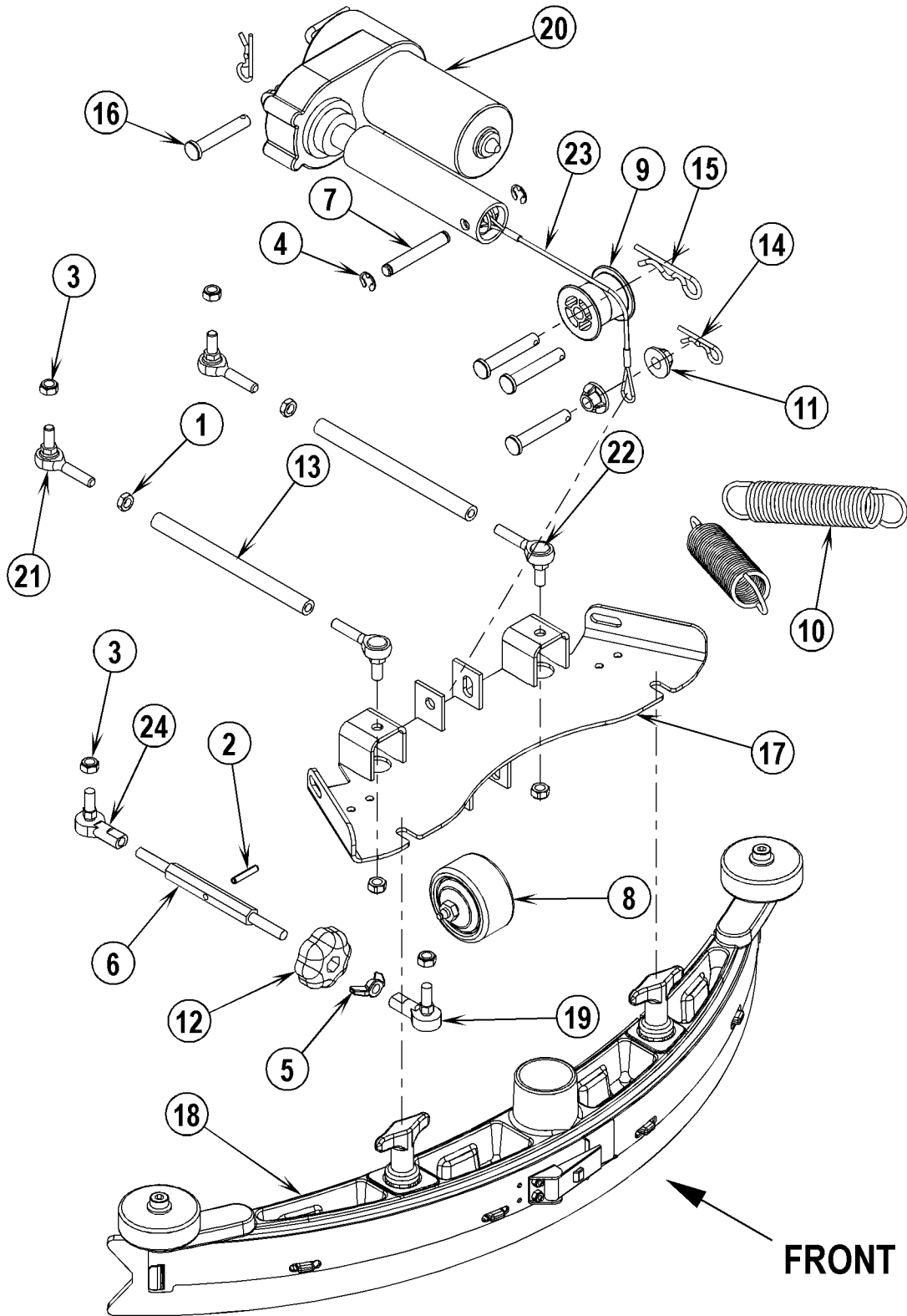
**NOTE 1:** All squeegee blade kits include both front and rear squeegee blades.

# SQUEEGEE SYSTEM

06-7

24

Advancer™ / BR 800S TRIO EDS™



06-7

**SQUEEGEE SYSTEM**

08-3

**Adhancer™ / BR 800S TRIO EDS™****25**

Item	Ref. No.	Qty	Description
1	56001884	2	Nut, Hex Jam 5/16-24
2	56002082	1	Pin, SPR .19 x 1.00
3	56002866	6	Nut, Hex Nyl Loc-Thin 5/16-24
4	56003262	2	Ring, Ret Ext Type E .38 Dia.
5	56003497	1	Nut, Wing SS 5/16-24
6	56412067	1	Connecting Rod
7	56412088	1	Pin
8	56412124	1	Wheel
9	56412208	1	Roller
10	56412216	2	Spring, Extension
11	56412248	4	Spacer, Squeegee Cable
12	56412284	1	Knob, Squeegee Adjust
13	56412314	2	Connecting Rod
14	56003222	2	Pin, Cotter Hair
15	56003223	1	Pin, Cot Hair .148 x Dia .62/1.00
16	56003656	4	Clevis Pin .375 x 2.25
17	56314023	1	Squeegee Mount Weld't.
18	56314020	1	Squeegee Assy (28")
#	56314358	1	Squeegee Assy (32") / BR 800S TRIO EDS)
19	56395755	1	Rod End
20	56397230	1	Lift Actuator, Squeegee (M2)
21	56412312	2	Rod End, 5/16
22	56412313	2	Rod End, 5/16
23	56412340	1	Cable Assembly
24	56477756	1	Rod End

\* = Not Shown

# = Revised or new since last update

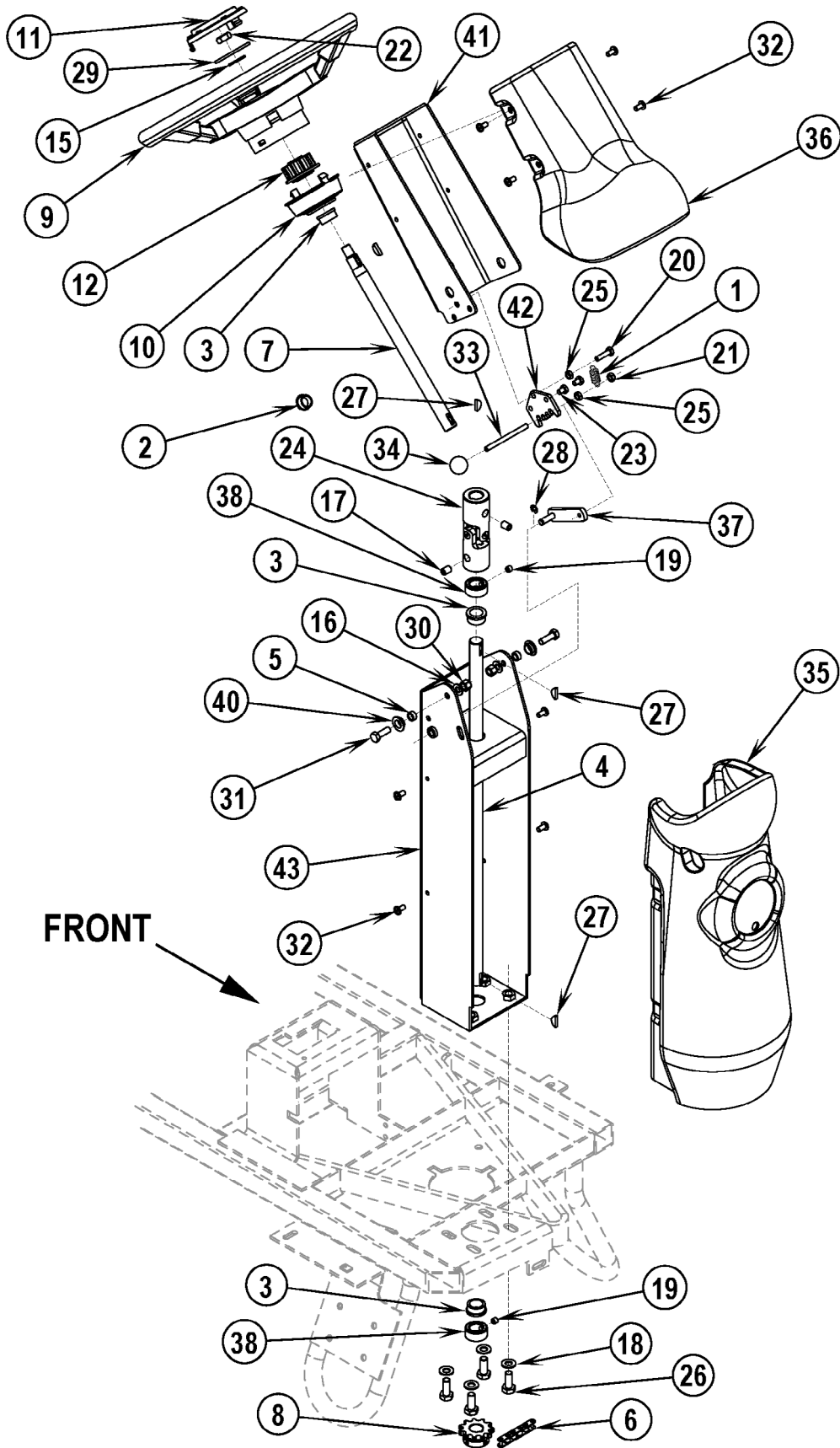
# STEERING COLUMN ASSEMBLY

06-7

26

Adhancer™ / BR 800S TRIO EDS™

08-3



06-7

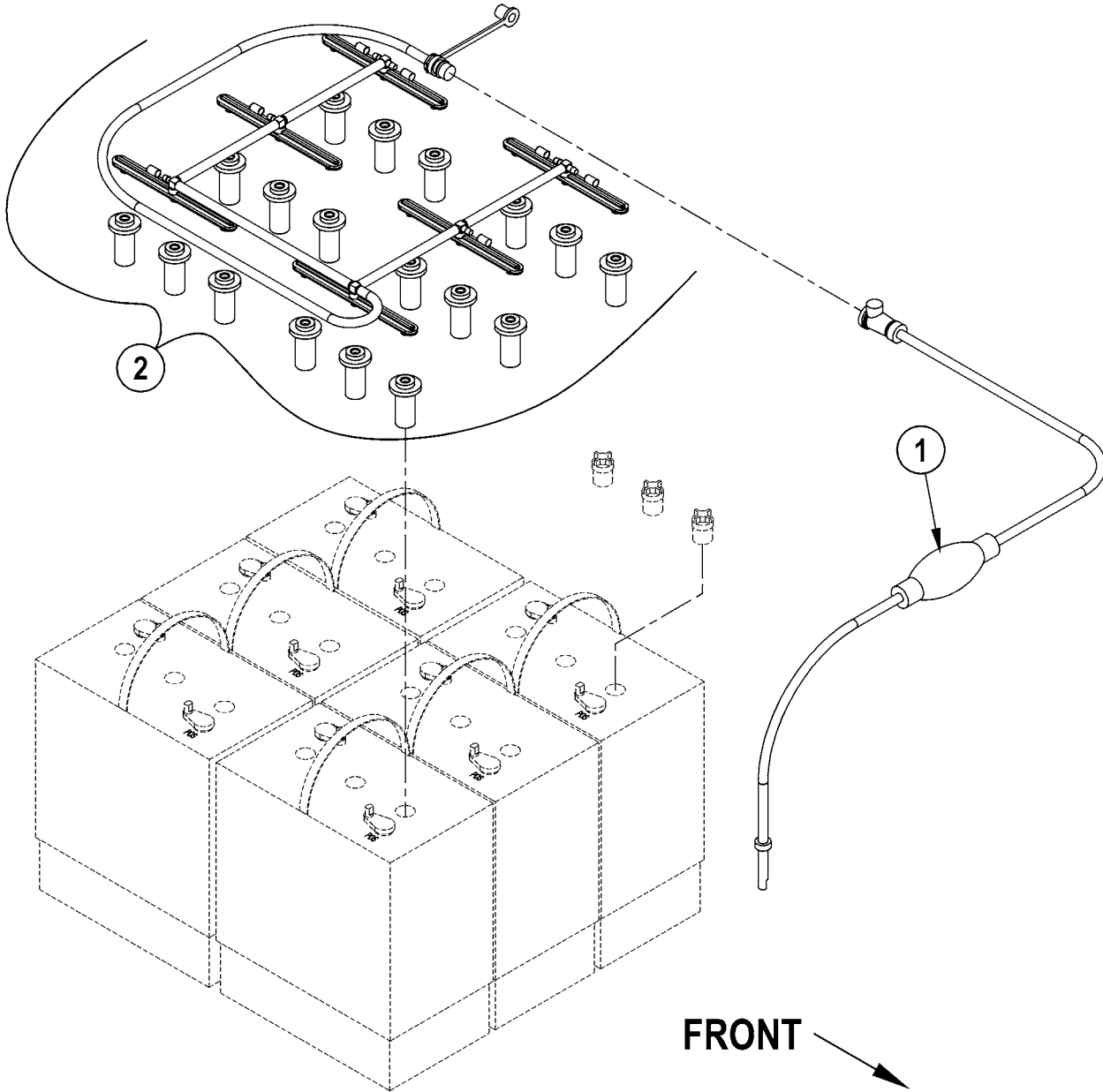
**STEERING COLUMN ASSEMBLY**

08-3

**Adhancer™ / BR 800S TRIO EDS™****27**

Item	Ref. No.	Qty	Description
1	56305072	1	Spring, Extension .075
2	56900041	1	Plug, Cap
3	56250414	3	Bearing, Flange
4	56314195	1	Shaft, Lower Steering
5	56320595	2	Bushing .32 x .50 x .28
6	56412198	1	Chain, Roller
7	56420059	1	Shaft, Upper Steering
8	56471148	1	Sprocket
9	56497306	1	Steering Wheel
10	56497308	1	Cup
11	56497543	1	Cap
12	56497560	1	Wheel Adapter
13	56477613	9	Tie, Cable <b>(Not Shown)</b>
14	56478246	5	Tie, Cable <b>(Not Shown)</b>
15	56001879	1	Wsh, Flt SAE 1/2
16	56001939	2	Wsh, Flt SAE 5/16
17	56001958	2	Scr, Soc Set Loc 3/8-16 x .50
18	56002063	4	Wsh, Flt SAE 3/8
19	56002086	2	Scr, Soc Set Loc 5/16-18 x .25
20	56002093	1	Scr, Hex 1/4-20 x 1.00
21	56002840	1	Nut, Hex Nyl Loc-Thin 1/4-20
22	56002843	1	Nut, Hex Nyl Loc-Thin 1/2-13
23	56003039	2	Scr, Hex Hd Loc 1/4-20 x .50
24	56454081	1	Universal Joint
25	56003145	2	Nut, Hex Jam SS 1/4-20
26	56003186	4	Scr, Hex Thd To Hd M10-1.5 x 25mm
27	56003228	4	Key, Wdf .75 x .19
28	56003261	1	Ring, Ret Ext Type E 0.31 Dia
29	56003342	1	Washer Flt .88 x 2.25 x .13
30	56003389	2	Nut, Hex Nyl Loc M8-1.25
31	56003436	2	Scr, Hex SS M8-1.25 x 25mm
32	56009062	8	Scr, Pan Phil Thd Form 1/4-20 x .50
33	56413664	1	Rod
34	56440817	1	Knob
35	56314295	1	Shroud, Lower Column
36	56314296	1	Shroud, Upper Column
37	56413661	1	Steering Pawl Weldment
38	56367095	2	Collar, Shaft
39#			<b>Deleted Intentionally</b>
40	56413211	2	Bearing, Flange .625 x .500 x .250
41	56413657	1	Column, Upper
42	56413658	1	Ratchet, Steering Column
43	56413659	1	Lower Column Weldment

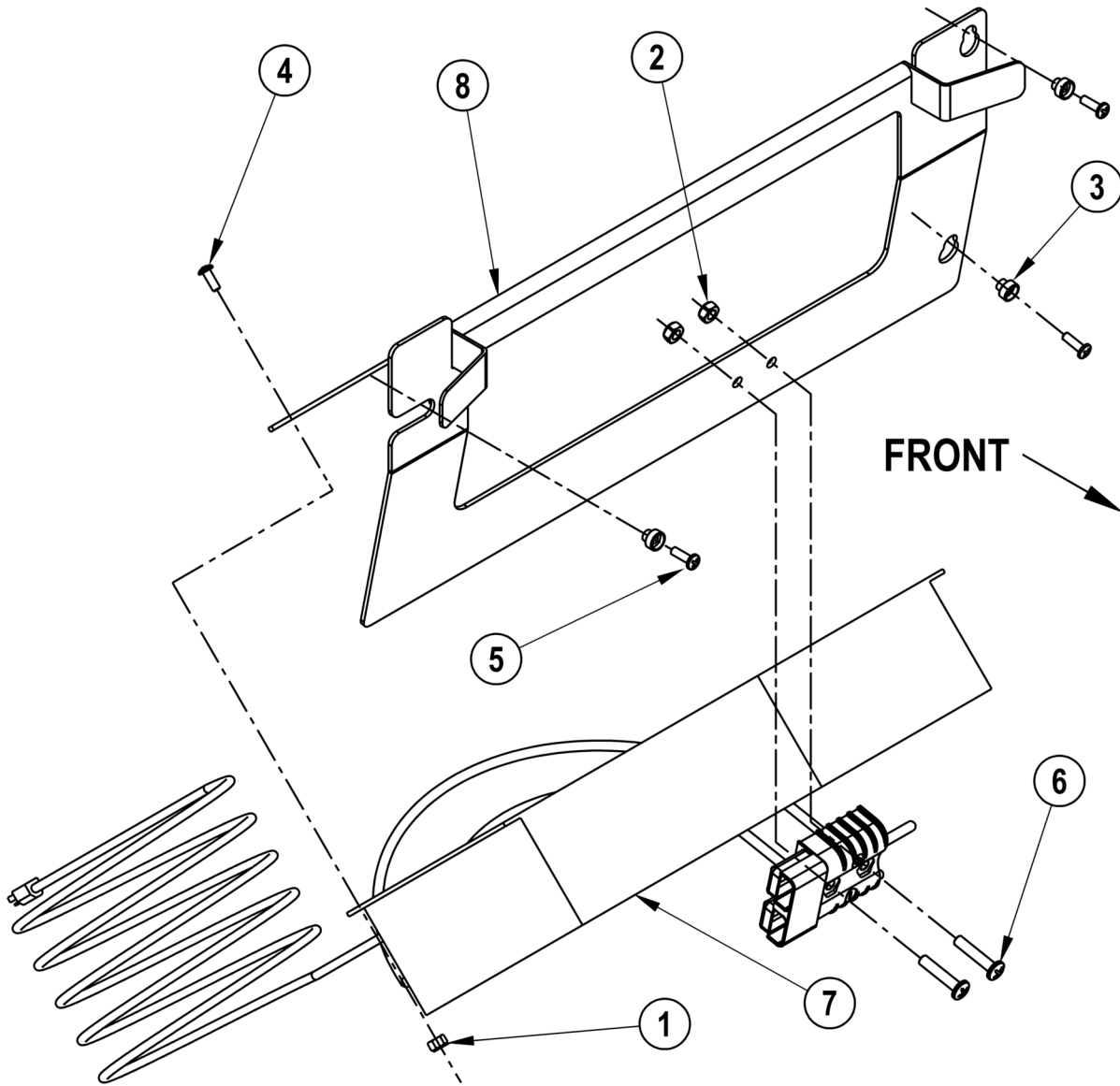
# = Revised or new since last update



06-7	<b>BATTERY WATERING SYSTEM</b>		
08-3	<b>Adhancer™ / BR 800S TRIO EDS™</b>		<b>29</b>

Item	Ref. No.	Qty	Description
	<b>56314974</b>	<b>1</b>	<b>Battery Watering System (items 1-2) (Standard on Advance Models)</b>
<b>1#</b>	56314978	1	Pump ( <b>Advance only</b> )
<b>2#</b>	56314979	1	Manifold Assembly ( <b>Advance only</b> )

# = Revised or new since last update

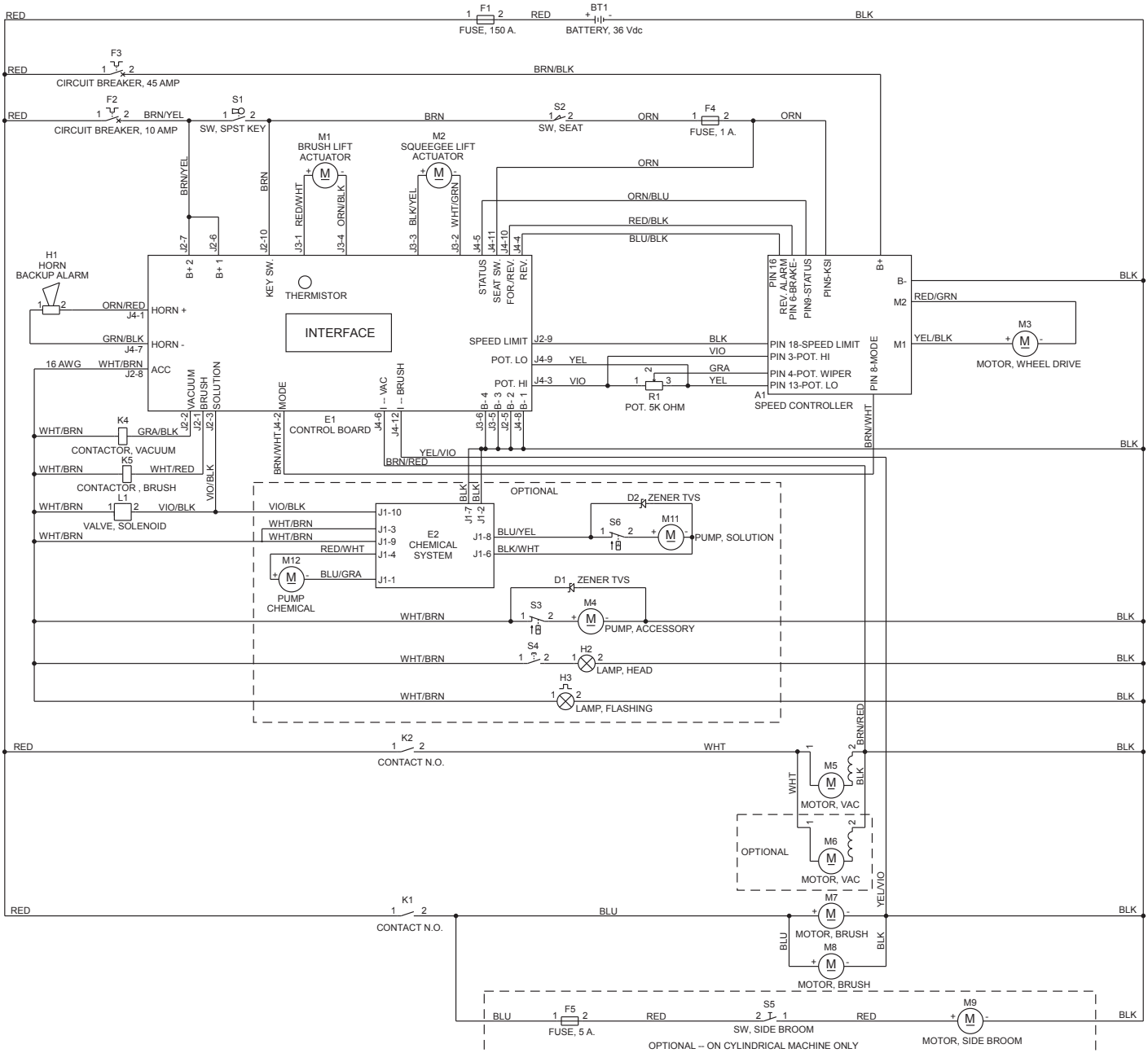




06-7	<b>ON-BOARD CHARGER</b>		
08-3	<b>Adhancer™ / BR 800S TRIO EDS™</b>		<b>31</b>

Item	Ref. No.	Qty	Description
#	<b>56314753</b>	<b>1</b>	<b>Kit, On-Board Charger (items 1-8) (Standard on Advance Models) TSBUS2008-984</b>
	56040787	1	Instruction Sheet
1	56002768	6	Nut, Hex Nyl Loc 10-24
2	56002840	2	Nut, Hex Nyl Loc-Thin 1/4-20
3	56412310	3	Spacer, Stepped
4	56001993	6	Scr, Pan Phil 10-24x.50
5	56002124	3	Scr, Pan Phil 10-24x.62
6	56002825	2	Scr, Pan Phil 1/4-20 x 1.25
7	56314750	1	Charger, 36V, 25AMP
8	56314752	1	Weldment, Charger

# = Revised or new since last update



Item	Ref. No.	Qty	Description	Item	Ref. No.	Qty	Description
A1	56314067	1	Controller	M7	56316052	1	Motor, 36VDC, 1.25HP, 3000 RPM
BT1	N/A		Battery	*	56412287	1	Motor Brush/Spring Kit (for 56316052)
E1	56316109	1	Control Panel Assembly	M8	56315611	1	Motor, 36VDC, .75HP, 1800 RPM
E2	56316217	1	Control Assembly	*	56412287	1	Motor Brush/Spring Kit (for 56315611)
F1	56412089	1	Fuse, 150 Amp	M9			Intentionally omitted
F2#	56387316	1	Circuit Breaker, 10 Amp (Control Circuit)	M11	56315108	1	Pump, Solution
F3#	56364294	1	Circuit Breaker, 45 Amp (Wheel Drive)	M12	56314984	1	Pump, Chemical
F4	N/A	1	Fuse, 1 Amp	R1	56454740	1	Potentiometer, 5K
F5			Intentionally omitted	S1	56396188	1	Switch, Key
H1	56412177	1	Horn / Backup Alarm	*	56396189	1	Key, Spare
H2	56314063	1	Headlight (optional)	S2#	7-82-00050	1	Switch, Seat
H3	56416433	1	Strobe Light (optional)	S3	N/A	1	Switch, Pump (part of M4)
K1#	56395455	1	Contactora, Brush Motor	S4	N/A	1	Switch, Headlight (part of H2)
K2#	56395453	1	Contactora, Vac Motor	S5			Intentionally omitted
L1	56397215	1	Solenoid Valve	S6	N/A	1	Switch, Pump (part of M11)
M1	56393303	1	Lift Actuator, Brush				* = Not Shown
*	56470433	1	Carbon Brush Kit				** = Optional
*	56393790	2	Limit Switch				# = Revised or new since last update
*	56388520	1	Plastic Nut				
M2	56397230	1	Lift Actuator, Squeegee				
M3	56314268	1	Motor, Drive Wheel				
*	56314282	1	Brake Bar				
*	56314289	1	Brake Band				
*	56412320	1	Carbon Brush Cover Kit (contains 4 seal rings & 4 brush covers)				
*	56412321	1	Sealing Ring				
*	56412322	1	Bearing, Ball, Gearbox Side				
*	56412323	1	Bearing, Ball, Brush Side				
*	56412325	1	Carbon Brush Kit				
*	56314269	1	Drive Wheel – P7 Scrubber Compound				
**	56412339	1	Drive Wheel – Polyurethane				
M4	56212014	1	Motor, Pump (optional)				
M5	56397228	1	Motor, Vac 36VDC ( <b>Advance only</b> )				
*	56212223	1	Carbon Brush Set				
	56410065	1	Vac Motor Assy ( <b>Nilfisk only</b> )				
*	56212223	1	Carbon Brush Set				
M6	56397228	1	Motor, Vac 36VDC ( <b>optional / Advance only</b> )				
*	56212223	1	Carbon Brush Set				
	56410065	1	Vac Motor Assy ( <b>optional / Nilfisk only</b> )				
*	56212223	1	Carbon Brush Set				

